

Parts Manual

RZT48 / 967 672001-00

Please read the operator manual carefully and make sure you understand the instructions before using the machine.

Gasoline containing a maximum of 10% ethanol (E10) is permitted for use in this machine. The use of gasoline with more than 10% ethanol (E10) will void the product warranty.

When you need spare parts or support in service questions, warranty issues, etc., please consult the following professional:

This manual belongs to the machine with the manufacturing number:	Engine	Transmission

Manufacturing Number

The machine's manufacturing number can be found on the printed plate affixed to the engine compartment.

Stated on the plate, from the top are:

- The machine's type designation (I.D.)
- The manufacturer's type number (Model)
- The machine's serial number (Serial no.)

Please have the type designation and serial number available when ordering spare parts.

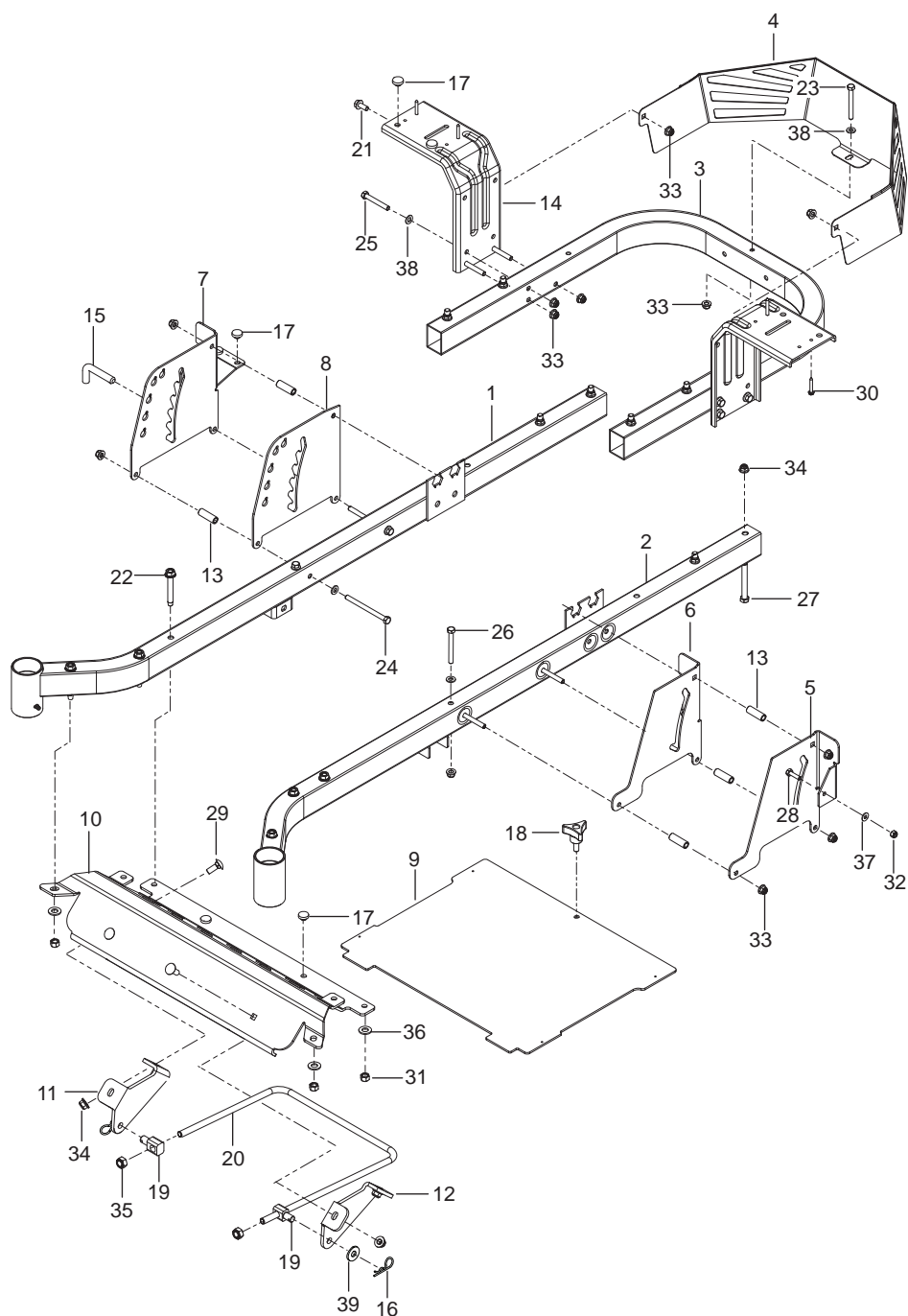
CONTENTS

FRAME	4
ENGINE MOUNTING, GUARDS & MUFFLER	6
STEERING	8
IGNITION SYSTEM.....	10
BRAKE / LIFT	12
HYDRAULIC PUMP-MOTOR.....	14
WHEELS & TIRES	16
MOWER DECK / CUTTING DECK	18
SEAT	20
DECALS	22

Illustrations may or may not represent the actual assemblies and it is not recommended to use this manual as a guide to assemble or disassemble the mower.

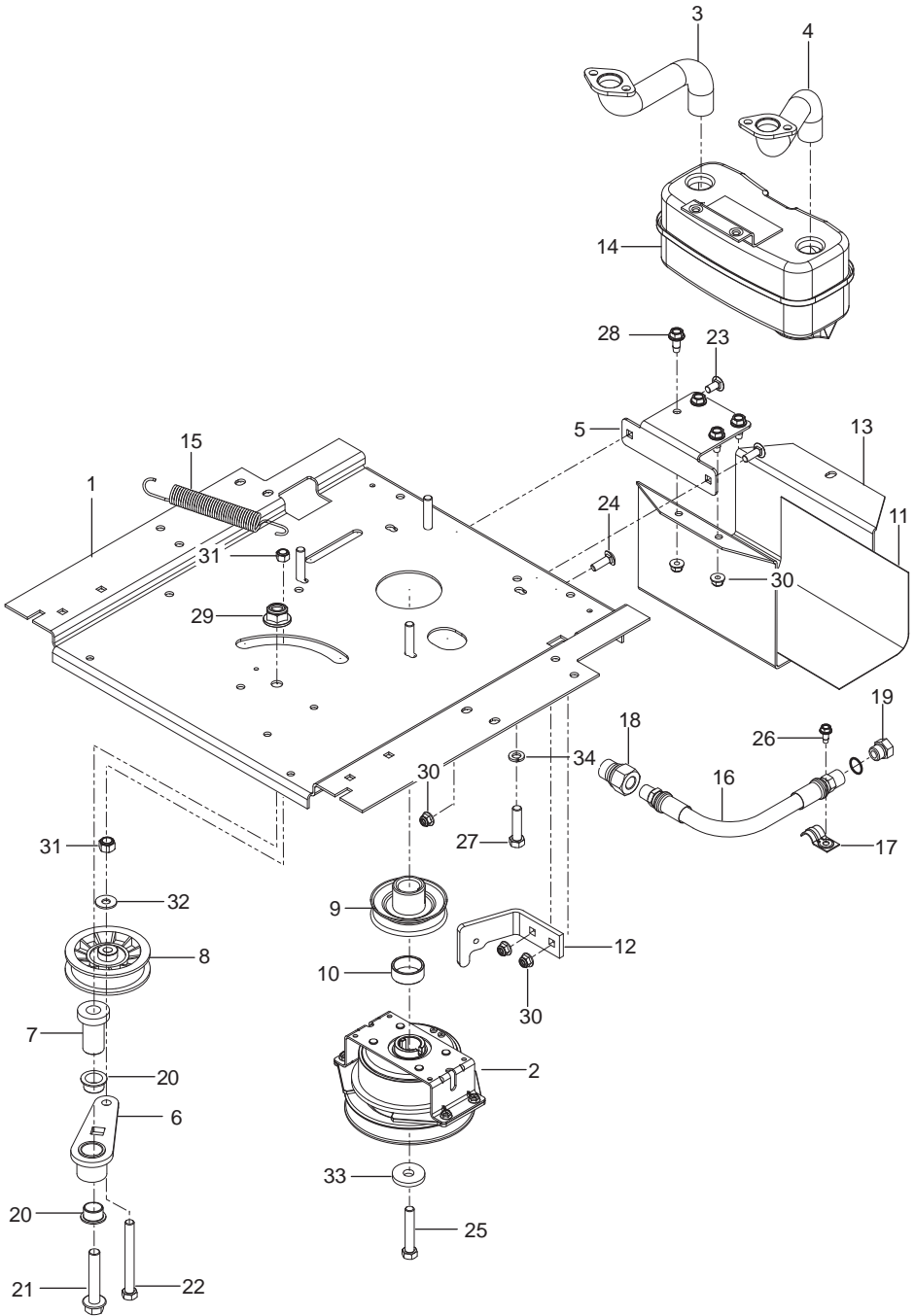
NOTE: All fasteners are Grade 5 unless otherwise specified.

FRAME



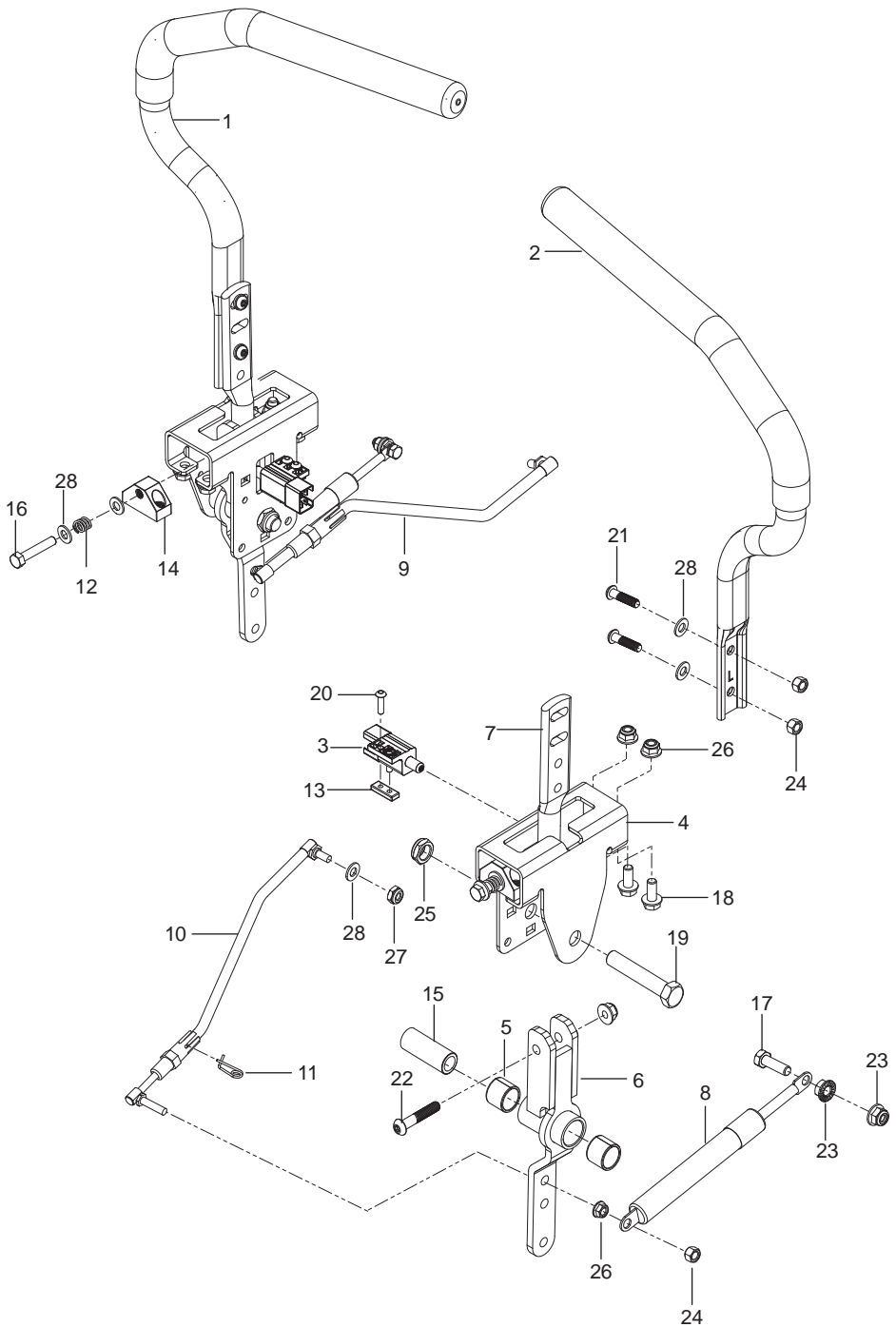
Ref.	Part No.	Qty	Description	Kit / Assy Includes
1	589 28 34-07	1	Frame, Front Right Red	
2	589 28 33-07	1	Frame, Front Left Red	
3	586 44 10-08	1	Frame, Rear Tube Red	
4	586 21 44-16	1	Guard, Rear Red	
5	510 26 18-02	1	Plate, Outer Brake Blk	
6	510 20 67-03	1	Plate, Brake Latch Blk	
7	580 52 80-02	1	Plate, Lift Outer Blk	
8	510 24 05-02	1	Plate, Lift Inner Blk	
9	522 84 29-09	1	Plate, Foot Red w/ Safety Decal	
10	522 74 07-09	1	Foot Rest Blk	
11	581 22 28-02	1	Mount, Strut Right Blk	
12	581 22 29-02	1	Mount, Strut Left Blk	
13	580 48 61-01	6	Spacer	
14	580 50 13-02	2	Support, Fender Blk	
15	510 01 65-03	1	Pin, Lift	
16	539 97 69-89	2	Pin	
17	539 10 25-87	6	Grommet, Rubber	
18	539 10 44-11	1	Knob w/ Stud	
19	581 51 43-01	2	Swivel, Trunion	
20	521 93 81 01	2	Link, Suspension	
21	874 49 05-12	2	Bolt 5/16-18 x 3/4 Hex Flange Hd	
22	577 11 77-01	6	Bolt 3/8-16 x 3 Hex Flange Hd	
23	874 49 05-48	1	Bolt 5/16-18 x 3 Hex Hd	
24	539 10 23-35	4	Bolt 5/16-18 x 4 Hex Hd	
25	874 78 05-36	6	Bolt 5/16-18 x 2-1/4 Hex Hd	
26	874 78 05-44	2	Bolt 5/16-18 x 2-3/4 Hex Hd	
27	874 78 06-48	8	Bolt 3/8-16 x 3 Hex Hd	
28	874 78 04-16	2	Bolt 1/4-20 x 1 Hex Hd	
29	539 99 06-45	2	Bolt 3/8-16 x 1 Round Hd Square Neck	
30	539 11 06-74	4	Screw #10-12 x 1-1/4	
31	539 20 02-82	6	Nut 3/8-16 Hex Jam Nyloc	
32	539 97 69-78	2	Nut 1/4-20 Hex Nyloc	
33	539 11 28-99	17	Nut 5/16-18 Hex Flange Nyloc	
34	521 99 65-01	10	Nut 3/8-16 Hex Flange Nyloc	
35	539 11 91-24	2	Nut 7/16-14 Hex Nyloc	
36	819 14 16-14	6	Washer 3/8 Std Flat	
37	819 09 10-16	2	Washer 1/4 SAE Flat	
38	819 11 11-16	11	Washer 5/16 SAE Flat	
39	819 21 21-13	2	Washer 1/2 Flat	

ENGINE MOUNTING, GUARDS & MUFFLER



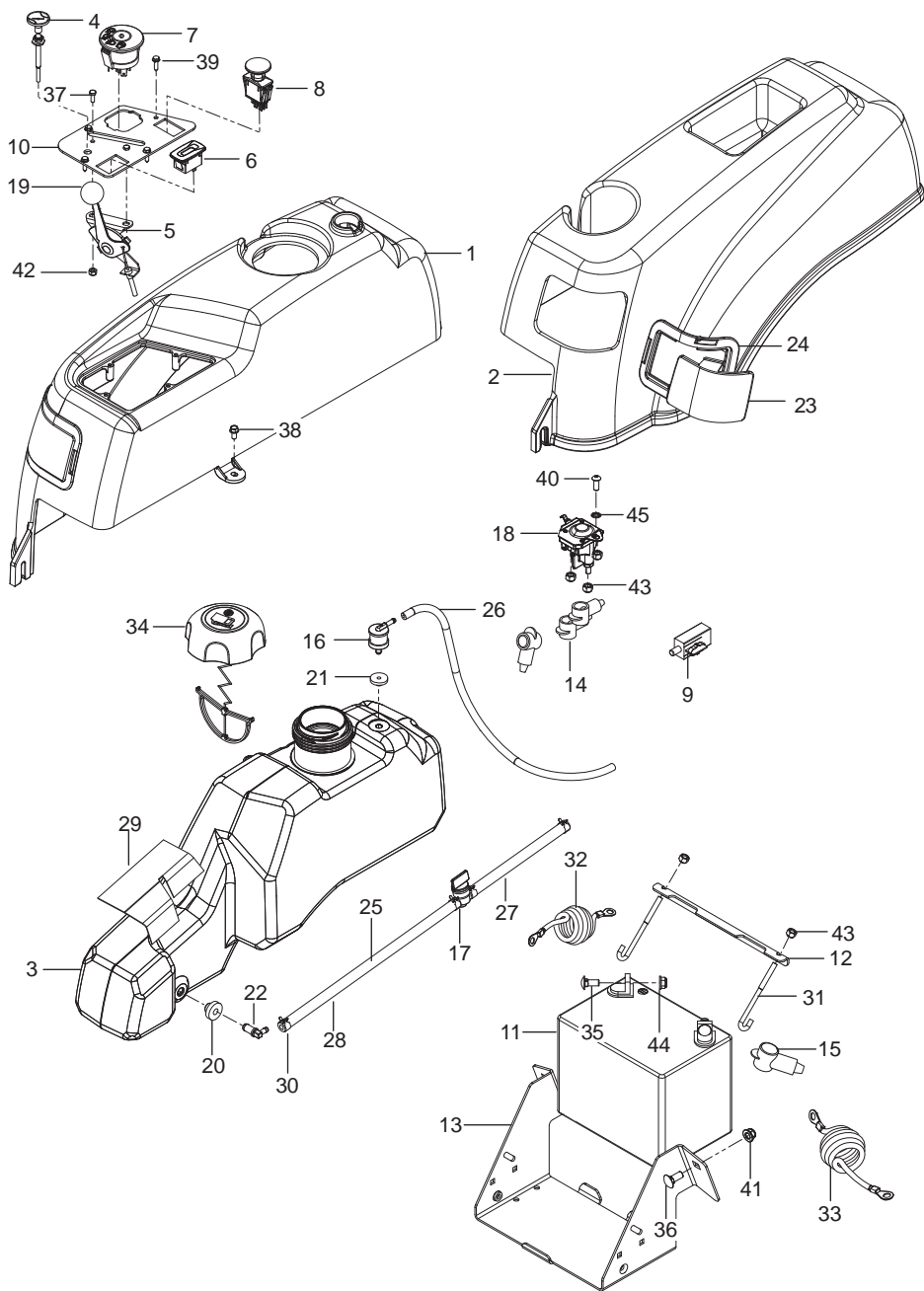
Ref.	Part No.	Qty	Description	Kit / Assy Includes
1	588 01 71-02	1	Plate, Engine Blk	
2	587 24 16-01	1	Clutch	
3	583 95 57-01	1	Tube, Exhaust Right	
4	583 95 56-01	1	Tube, Exhaust Left	
5	581 88 67-02	1	Bracket, Muffler Blk	
6	532 44 81-45	1	Arm, Idler	
7	582 53 89-01	1	Spindle, Idler	
8	539 11 03-11	1	Pulley, Idler	
9	587 53 74-01	1	Pulley, Engine	
10	587 66 01-01	1	Spacer	
11	539 13 28-59	1	Shield, Muffler	
12	587 63 33-02	1	Stop, Clutch Blk	
13	587 45 12-02	1	Guard, Muffler Blk	
14	539 13 16-04	1	Muffler Assembly	
15	532 19 61-05	1	Spring, Deck Drive	
16	584 82 55-01	2	Assy, Drain Hose	19
17	539 10 13-63	1	Clamp	
18	522 59 90-01	1	Adapter, Oil Drain	
19	585 80 71-01	1	Plug, Oil	
20	501 60 37-01	2	Bearing, Flanged	
21	582 53 95-01	1	Bolt 1/2-13 x 2-3/4 Hex Flange Hd	
22	874 52 06-56	1	Bolt 3/8-16 x 3-1/2 Hex Hd	
23	872 14 05-06	2	Bolt 5/16-18 x 3/4 Round Hd Square Neck	
24	872 14 05-08	2	Bolt 5/16-18 x 1 Round Hd Square Neck	
25	581 33 28 03	1	Bolt 7/16-20 x 2-1/2 Hex Hd	
26	817 49 04-10	1	Screw 1/4-20 X 5/8 Thread Form	
27	539 97 69-49	4	Bolt 3/8-16 x 1-3/4	
28	817 49 05-12	4	Screw 5/16-18 x 3/4 Thread Form	
29	521 99 11-01	1	Nut 1/2-13 Hex Flange Nyloc	
30	539 11 28-99	5	Nut 5/16-18 Hex Flange Nyloc	
31	539 97 69-79	2	Nut 3/8-16 Hex Nyloc	
32	819 12 14-14	2	Washer 5/16 Std Flat	
33	532 12 61-97	1	Washer, Clutch	
34	810 03 06-00	4	Washer 3/8 Split Lock	
	NOT SHOWN			
	-----	1	Engine, Kawasaki FR691V 23 HP For Engine Replacement Parts, See a Kawasaki Dealer	
	585 72 77-01	1	Harness	

STEERING



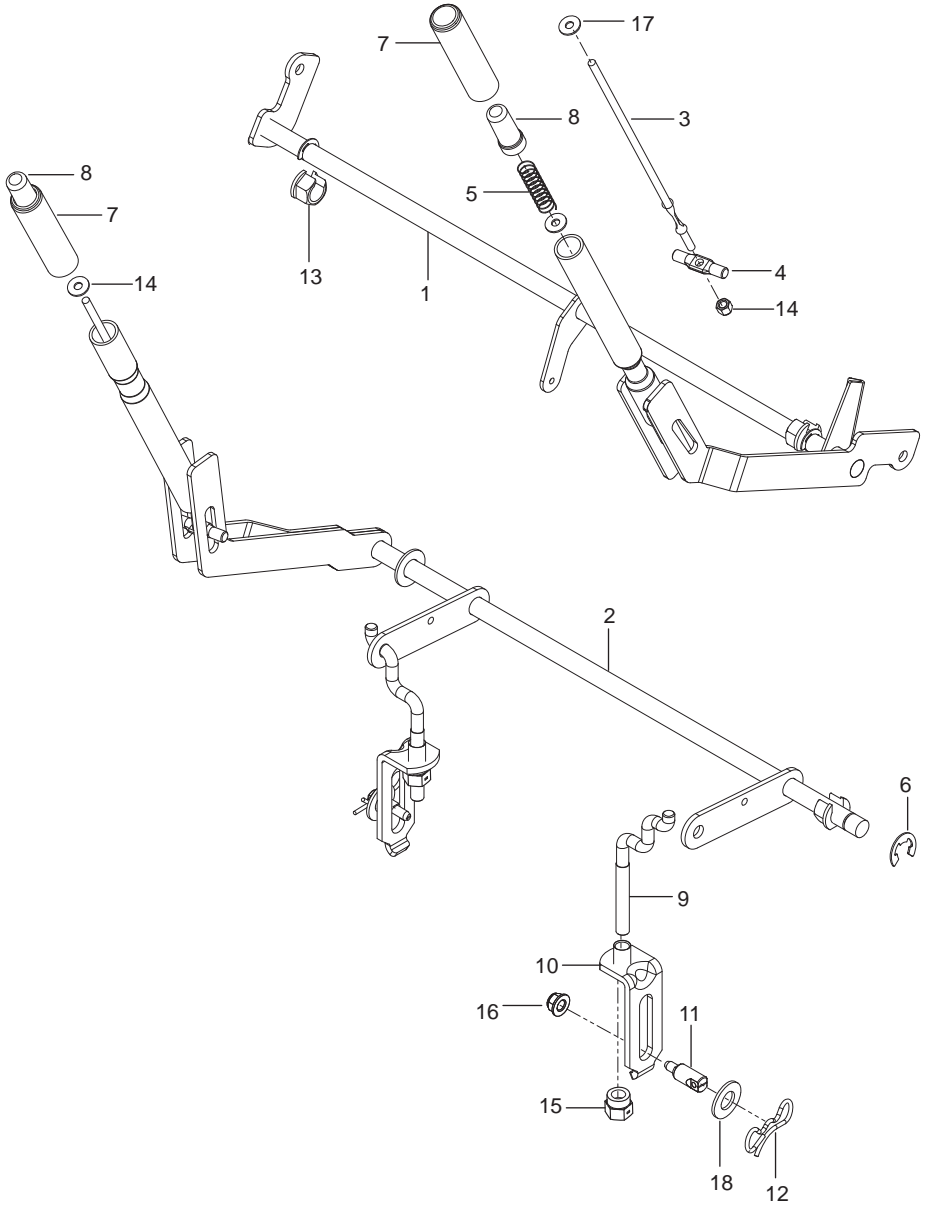
Ref.	Part No.	Qty	Description	Kit / Assy Includes
1	590 09 08-03	2	Lever w/ Grip Right Blk	
2	590 09 08-04	2	Lever w/ Grip Left Blk	
3	532 10 95-53	2	Switch, NC	
4	585 12 47-05	2	Bracket, Control	
5	532 43 82-82	4	Bearing	
6	587 18 77-01	2	Lever, Control	
7	577 42 00-01	2	Lever, Handle	
8	539 10 27-20	2	Dampener	
9	588 60 49-01	1	Assy, Right Control Linkage	11
10	588 60 50-01	1	Assy, Left Control Linkage	11
11	532 19 98-49	2	Clip, Spring	
12	539 10 28-45	2	Spring	
13	581 22 30-01	2	Plate, Tapped	
14	581 43 75-01	2	Block, Tracking	
15	584 92 72-01	2	Spacer, Pivot Control	
16	539 97 69-35	2	Bolt 5/16-18 x 1-1/2 Hex Head	
17	539 99 02-09	2	Bolt 5/16-18 x 1 Hex Head	
18	874 49 05-12	8	Bolt 5/16-18 x 3/4 Hex Flange Head	
19	874 78 08-44	2	Bolt 1/2-13 x 2-3/4 Hex Head	
20	574 82 27-01	4	Screw 10-24 x 3/4 Socket Head	
21	578 29 64-03	4	Screw 5/16-18 x 1-1/4 Button Head	
22	587 88 53-01	2	Screw 5/16-18 x 1-3/4 Button Head	
23	539 99 05-85	4	Nut 5/16-18 Hex Whiz Lock	
24	873 80 05-00	6	Nut 5/16-18 Hex Nyloc	
25	539 10 80-10	2	Nut 1/2-13 Hex Jam Nyloc Grade 2	
26	539 11 28-99	10	Nut 5/16-18 Hex Flange Nyloc	
27	539 11 56-17	2	Nut 5/16-18 Thin	
28	819 11 11-16	10	Washer 5/16 SAE Flat	

IGNITION SYSTEM



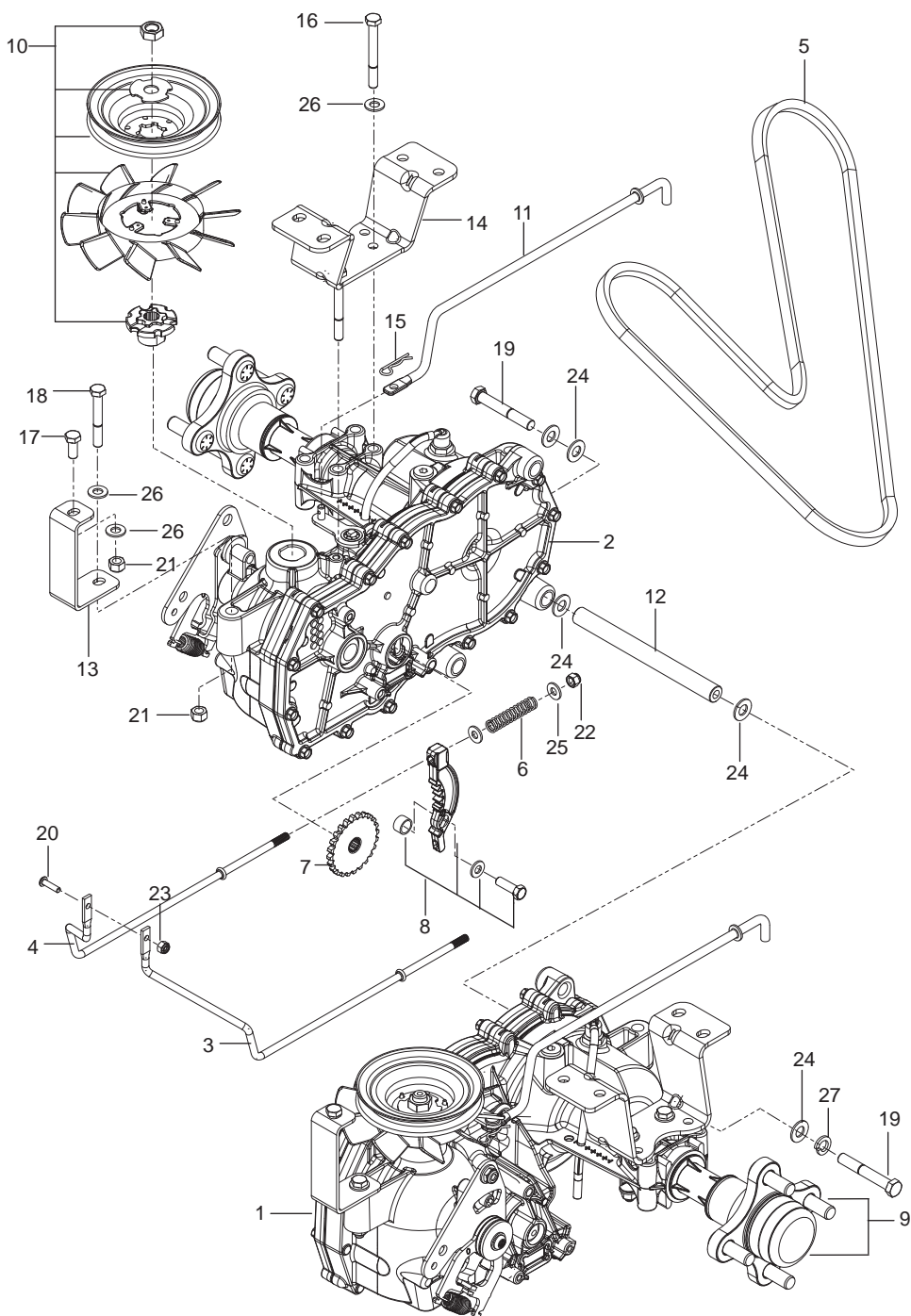
Ref.	Part No.	Qty	Description	Kit / Assy Includes
1	578 17 90-02	1	Fender, Right Black	
2	576 37 05-01	1	Fender, Left Black	
3	589 92 61-01	1	Assy, Fuel Tank	20, 21, 22, 29
4	539 11 24-39	1	Control, Choke	
5	539 11 27-34	1	Control, Throttle	
6	586 16 08-01	1	Meter, Service	
7	539 10 75-41	1	Switch, Ignition	
8	582 10 76-02	1	Switch, Blade	
9	532 19 78-02	1	Switch, Brake	
10	584 25 46-02	1	Plate, Console	
11	539 10 24-36	1	Battery	
12	510 03 00-03	1	Bracket, Battery	
13	582 60 96-02	1	Box, Battery Black	
14	532 13 15-63	3	Terminal Cover	
15	539 10 27-59	1	Insulator	
16	576 61 81-01	1	Valve, Fuel Check	
17	539 91 63-25	1	Valve, Fuel	
18	582 04 28-01	1	Solenoid	
19	539 13 30-49	1	Knob	
20	532 00 36-45	1	Grommet, Rubber	
21	532 43 74-92	1	Grommet, Check Valve	
22	532 13 92-77	1	Elbow	
23	576 37 11 01	1	Lens, Left	
	576 37 12-01	1	Lens, Right	
24	576 37 09-01	1	Rim, Left	
	576 37 10-01	1	Rim, Right	
25	586 12 39-04	1	Assy, Fuel Line	17, 27, 28, 30
26	587 04 45-44	1	Hose 3/16" Vapor 44"	
27	587 04 48-10	1	Hose 1/4" x 10" Fuel	
28	587 04 48-18	1	Hose 1/4" x 18" Fuel	
29	522 55 91-01	1	Shield, Heat	
30	532 12 34-87	4	Clamp	
31	588 83 94-01	1	Hook, J	
32	586 10 81-01	1	Cable, Negative Black	
33	586 10 82-01	1	Cable, Positive Red	
34	585 12 48-02	1	Cap, Fuel w/ Tether	
35	539 99 03-16	2	Bolt 5/16-18 x 3/4 Round Head Square Neck	
36	539 99 06-45	2	Bolt 3/8-16 x 1 Round Head Square Neck	
37	539 99 04-11	2	Bolt 10-24 x 1/2 Hex Head	
38	817 49 04-08	2	Screw 1/4-20 x 1/2 Hex Self Tap	
39	539 11 06-73	4	Screw 10-24 x 3/4 Washer Head	
40	539 11 12-29	1	Screw 1/4-20 x 5/8 Button Socket	
41	521 99 65-01	2	Nut 3/8-16 Hex Flange Nyloc	
42	539 97 69-77	2	Nut 10-24 Hex Nyloc	
43	539 97 69-78	5	Nut 1/4-20 Hex Nyloc	
44	539 11 28-99	2	Nut 5/16-18 Hex Flange Nyloc	
45	539 99 00-53	1	Washer 1/4 Internal Lock	
NOT SHOWN				
	585 72 77-01	1	Harness, Wiring	
	532 14 04-01	1	Key, Ignition	
	505 28 00-01	1	Tie Wrap 8-3/8" w/ Clip	

BRAKE / LIFT



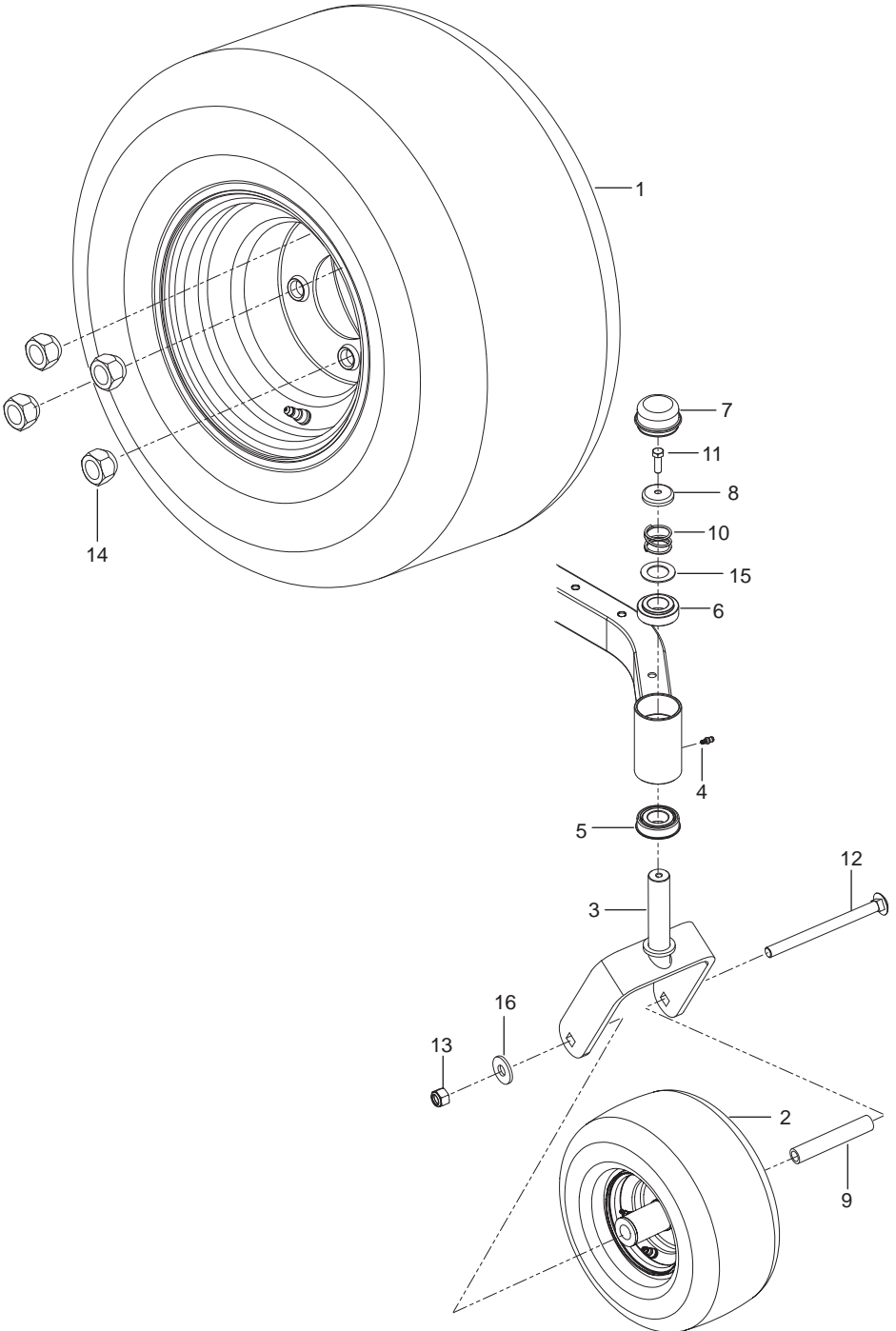
Ref.	Part No.	Qty	Description	Kit / Assy Includes
1	580 43 58-01	1	Shaft, Brake	
2	586 76 02-02	1	Shaft, Lift	
3	510 42 29-01	2	Rod, Handle Release	
4	580 96 04-01	1	Rod, Latch Release	
5	510 03 07-01	2	Spring, Compression	
6	812 00 00-02	3	E-Ring	
7	510 20 72-01	2	Grip, Handle	
8	510 20 73-01	2	Button, Push	
9	525 84 72-01	2	Link, Rear Suspension	
10	522 85 86-01	2	Bracket, Centering Link	
11	532 19 51-61	2	Stud w/ Anti-Rotate	
12	532 19 42-09	2	Pin	
13	510 18 49-01	4	Nut, Plastic	
14	873 80 04-00	2	Nut 1/4-20 Hex Nyloc	
15	532 17 59-94	2	Nut, Lift Link	
16	873 90 05-00	2	Nut 5/16-18 Hex Flange Lock	
17	819 09 12-16	3	Washer 1/4 Flat	
18	819 21 21-13	2	Washer 1-5/16 13 Gauge	

HYDRAULIC PUMP-MOTOR



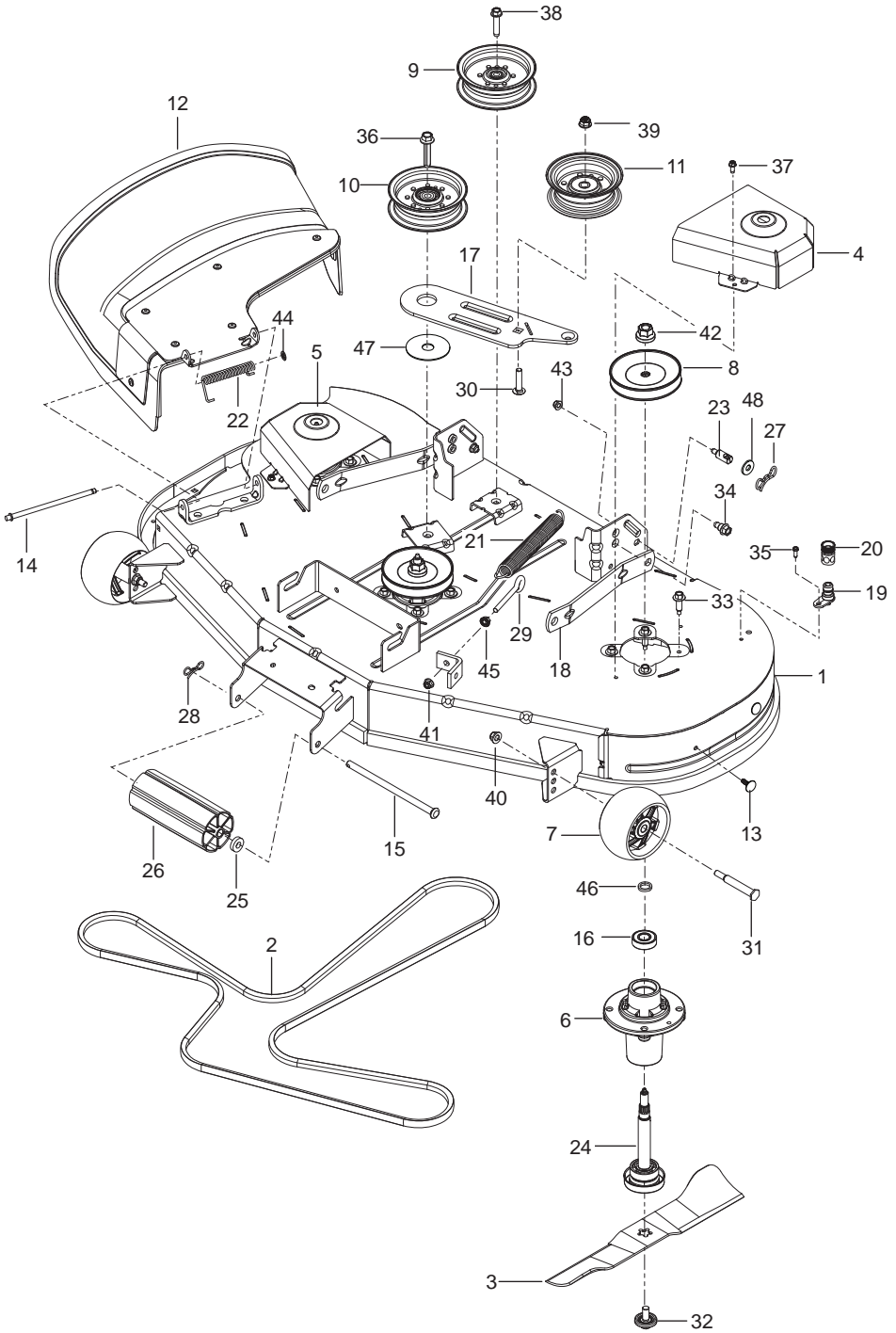
Ref.	Part No.	Qty	Description	Kit / Assy Includes
1	510 37 56-01	1	EZT, Left	
2	510 37 56-02	1	EZT, Right	
3	574 03 05-01	1	Rod, EZT Brake Left	
4	574 03 05-02	1	Rod, EZT Brake Right	
5	539 11 04-11	1	Belt, EZT	
6	539 11 03-42	2	Spring, Brake Rod	
7	539 12 00-80	2	Cog, Brake Disc	
8	539 12 00-79	2	Assembly Kit, Brake Arm	
9	575 50 70-01	1	Assembly Kit, Hub w/ Nuts	
10	501 40 36-02	2	Assembly Kit, Blade, Pulley	
11	522 94 11-01	2	Link Arm, Bypass	
12	510 18 41-04	2	Spacer Tube	
13	580 80 65-02	2	Support, EZT Front	
14	580 80 66-02	2	Mount, EZT Rear Blk	
15	539 97 69-88	1	Pin	
16	874 78 05-44	4	Bolt 5/16-18 x 2-3/4 Hex Hd	
17	539 97 69-34	2	Bolt 5/16-18 x 3/4 Hex Hd	
18	874 78 05-36	2	Bolt 5/16-18 x 2-1/4 Hex Hd	
19	539 99 06-37	4	Bolt 3/8-16 x 2-1/2 Hex Hd	
20	874 81 10-12	1	Screw 10-24 x 3/4 Slotted Round Hd	
21	873 80 05-00	8	Nut 5/16-18 Hex Nyloc	
22	539 97 69-78	2	Nut 1/4-20 Hex Nyloc	
23	539 97 69-77	1	Nut 10-24 Hex Nyloc	
24	819 13 13-16	8	Washer 3/8 SAE Flat	
25	819 09 10-16	4	Washer 1/4 SAE Flat	
26	819 11 11-16	14	Washer 5/16 SAE Flat	
27	539 99 01-18	4	Washer 3/8 Split Lock	

WHEELS & TIRES



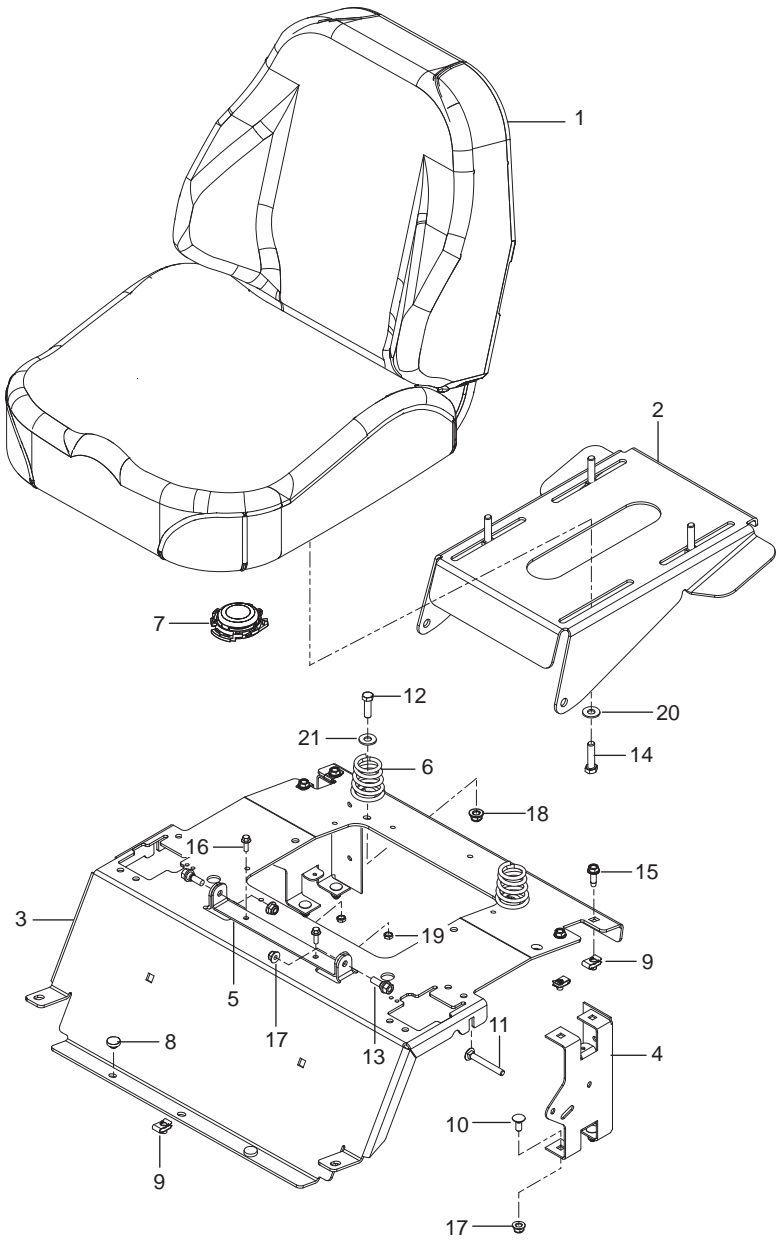
Ref.	Part No.	Qty	Description	Kit / Assy Includes
1	580 83 07-01	2	Assy, Wheel Rear 18 x 9.5-8	
2	580 83 08-01	2	Assy, Wheel Caster 11 x 6.5	
3	586 65 03-07	2	Yoke Red	
4	539 11 56-38	2	Zerk 3/16 Drive	
5	539 11 26-60	2	Bearing, Flanged	
6	539 11 79-01	2	Bushing, Caster	
7	539 10 25-35	2	Grease Cap	
8	539 11 57-49	2	Plug, Caster	
9	585 99 54-01	2	Spacer, Pivot	
10	539 11 57-47	2	Spring, Caster	
11	874 95 05-16	2	Bolt, Hex 5/16-18 x 1 w/ Nylon Patch	
12	576 60 15-01	2	Bolt 1/2-13 x 7-1/2 Round Hd Square Neck	
13	873 93 08-00	2	Nut 1/2-13 Hex Center Lock	
14	539 10 11-73	8	Nut 1/2 Lug	
15	539 11 56-75	2	Washer	
16	819 18 22-12	2	Washer 9/16	

MOWER DECK / CUTTING DECK



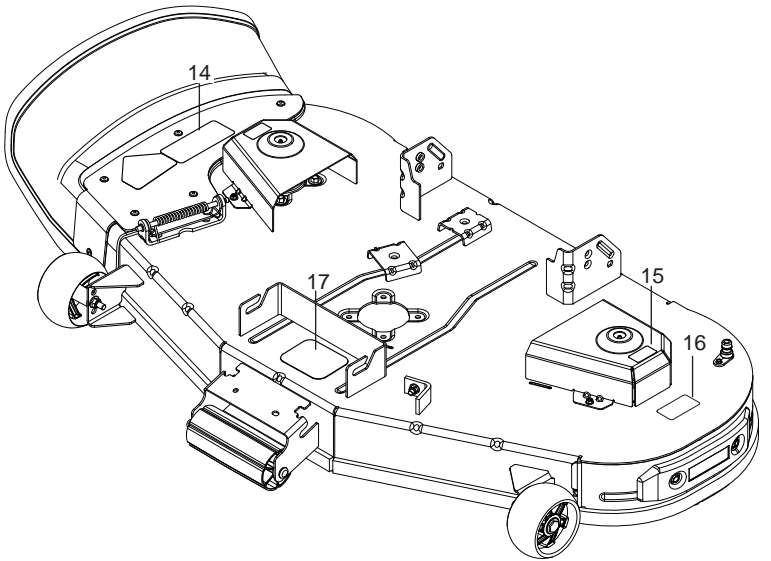
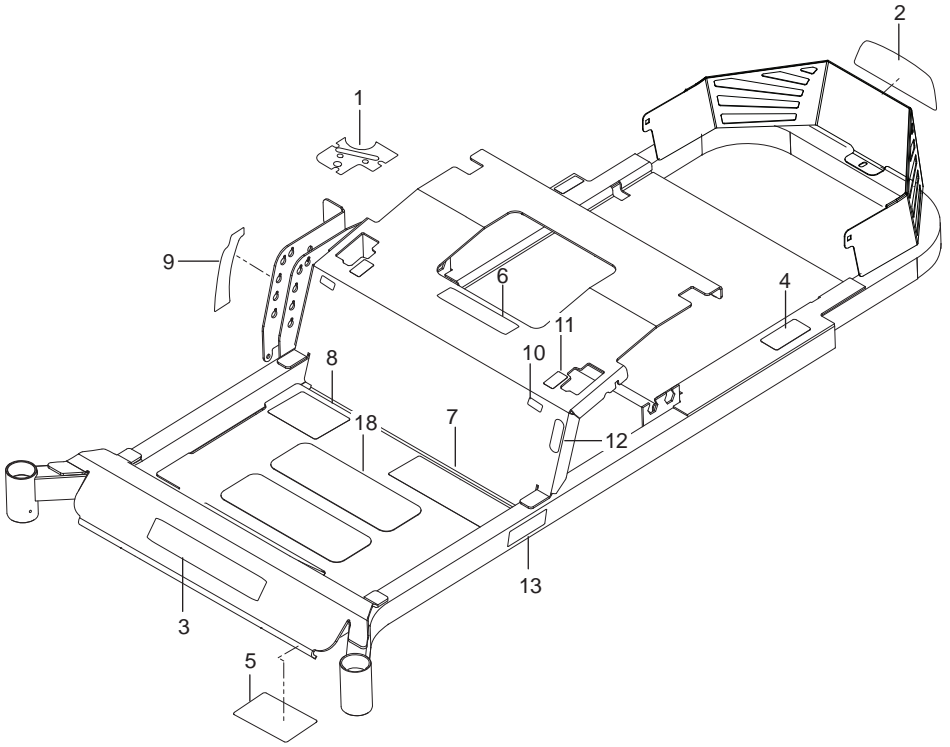
Ref.	Part No.	Qty	Description	Kit / Assy Includes
1	583 81 01-05	1	Deck Red	
2	582 55 80-01	1	V-Belt	
3	588 81 10-02	3	Blade, Bagging	
4	588 81 28 05	1	Belt Shield, Left Blk	
5	588 81 24 05	1	Belt Shield, Right Blk	
6	539 13 18 98	3	Mandrel, Cast Iron	16, 24
7	532 17 48-73	2	Wheel, Gauge	
8	532 17 34-35	3	Pulley	
9	532 19 61-06	1	Pulley, Idler	
10	532 19 61-04	1	Pulley, Idler	
11	532 19 31-97	1	Pulley, Idler	
12	588 98 07-01	1	Deflector w/ safety decals	
13	532 13 38-35	2	Fastener	
14	532 13 14-91	1	Rod, Hinge	
15	532 17 91-27	1	Rod, Nose Roller	
16	532 11 04-85	1	Bearing	
17	588 81 22 02	1	Arm, Idler	
18	587 14 05 02	2	Arm, Suspension	
19	532 41 55-98	1	Port, Washout	
20	532 41 64-05	1	Coupling, Quick Connect	
21	582 50 40-01	1	Spring, Deck Belt	
22	587 35 47 01	1	Spring, Torsion	
23	532 19 51-61	2	Stud, w/ Anti-Rotate	
24	532 18 72-91	1	Shaft	
25	582 36 05-01	1	Bushing, Nose Roller	
26	532 17 60-66	1	Nose Roller	
27	532 19 42-09	2	Pin	
28	532 19 42-08	1	Pin, Cotter	
29	539 11 55-74	1	Eye Bolt 5/16 x 3-1/2	
30	872 11 06-14	1	Bolt 3/8-16 x 1-3/4 Round Hd Square Neck	
31	532 19 34-06	2	Bolt 3/8-16 x 3-5/8 Shoulder	
32	532 19 30-03	3	Bolt, Blade	
33	584 95 39-01	12	Bolt 5/16-18 x 1-1/4 Hex Washer Hd	
34	532 19 65-39	2	Bolt 3/8-16 Shoulder	
35	817 49 04-08	1	Screw 1/4-20 x 1/2 Hex Self Tap	
36	588 43 83-01	1	Screw 7/16-14 x 2-1/8 Hex Washer Hd	
37	532 13 77-29	4	Screw 1/4-20 x 5/8 Hex Thread Form	
38	817 49 06-28	1	Screw 3/8-16 x 1-3/4 Hex Thread Form	
39	873 90 06-00	1	Nut 3/8-16 Hex Flange Lock	
40	521 99 65-01	2	Nut 3/8-16 Hex Flange Nyloc	
41	539 11 28-99	1	Nut 5/16-18 Hex Flange Nyloc	
42	532 40 02-34	3	Nut 9/16 Top Center Lock	
43	873 90 05-00	2	Nut 5/16-18 Hex Flange Lock	
44	532 11 04-52	1	Pushnut	
45	539 99 05-85	1	Nut 5/16-18 Hex Whiz Lock	
46	532 18 76-90	3	Washer Spacer	
47	532 17 85-15	1	Washer 16 Gauge	
48	819 21 21-13	2	Washer 1/2 Flat	
	NOT SHOWN			
	539 11 87-62	1	Spring, Deck Lift	

SEAT



Ref.	Part No.	Qty	Description	Kit / Assy Includes
1	590 87 34-01	1	Seat	7
2	590 85 60-02	1	Pan, Seat Blk	
3	589 76 12-10	1	Support, Seat Red	
4	580 30 82-02	2	Support, Seat Rear Black	
5	590 89 99-02	1	Bracket, Seat Pan Red	
6	589 48 35-01	2	Spring, Seat	
7	539 13 21-40	1	Switch, Seat	
8	585 98 93-01	2	Grommet, Bumper	
9	539 10 47-63	5	Retainer, U Type	
10	539 99 03-16	4	Bolt 5/16-18 x 3/4 Round Hd Square Neck	
11	510 42 27-01	2	Bolt 5/16-18 x 2-1/2 Round Hd Square Neck	
12	874 78 06-20	2	Bolt 3/8-16 x 1-1/4 Hex Head	
13	532 16 96-12	2	Bolt 5/16-18 Shoulder	
14	874 78 05-20	4	Bolt 5/16-18 x 1/4 Hex Head	
15	817 49 05-12	4	Screw 5/16-18 x 3/4 Thread Form	
16	589 02 85-01	2	Screw 1/4-20 Hex Flange	
17	539 11 28-99	6	Nut 5/16-18 Hex Flange Nyloc	
18	521 99 65-01	2	Nut 3/8-16 Hex Flange Nyloc	
19	873 35 04-00	2	Nut 1/4-20 Hex Jam	
20	819 11 11-16	4	Washer 11/32 Std Flat	
21	819 14 16-14	2	Washer 3/8 Std Flat	
NOT SHOWN - OPTIONAL				
	590 87 34-02	1	Kit, Armrest	

DECALS



Ref.	Part No.	Qty	Description	Kit / Assy Includes
1	590 79 18-01	1	Decal, Console	
2	590 79 23-01	1	Decal, Guard Logo	
3	590 79 91-01	1	Decal, Emblem	
4	539 10 83-85	1	Decal, Do Not Tow	
5	539 10 98-97	1	Decal, Service	
6	539 10 57-45	1	Decal, Battery Warning	
7	590 48 55-01	1	Decal, Warnings	
8	587 49 41-01	1	Decal, Starting	
9	587 60 88-01	1	Decal, Height Adjust	
10	501 26 12-01	2	Decal, Tracking	
11	587 60 90-01	2	Decal, Motion Control	
12	501 26 13-01	1	Decal, Park.brake	
13	591 07 92-01	2	Decal, RZT48	
14	590 81 08-01	1	Decal, Deck Warning	
15	589 35 79-01	1	Decal, No Step	
16	591 07 83-01	1	Decal, 48"	
17	510 24 02-01	1	Decal, Belt Routing	
18	539 97 77-78	2	Pad, Abrasive	

